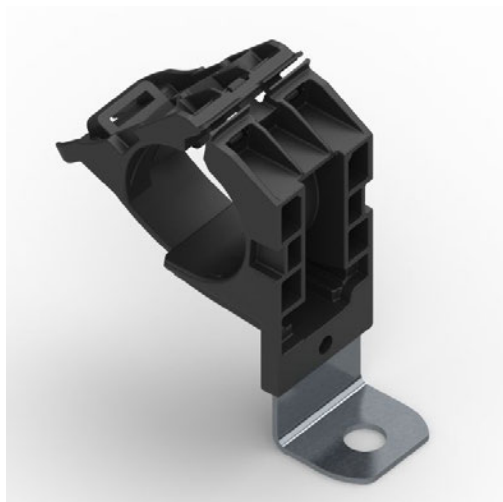


## Specification Sheet

Part Number: 151-01999



Ratchet P-Clamp, 0.76" - 1.42" Bundle Dia, 90° Short, .26" Hole Dia, PA66HIRHSUV/SS304, Black, 160/ctn

**Article Number**

151-01999

**Type**

RCC90SM6SS

**Color**

Black (BK)

**Features & Benefits**

- One-piece ratchet closure design allows for easy installation during pre- or final assembly.
- Four sizes and multiple configurations handle a wide range of diameters and applications, reducing part inventory.
- Clamp interior is designed to guide and center bundle to reduce pinching.
- Easy release feature allows for quick adjustments and maintenance.
- Stainless steel mounting plate tolerates high torque mounting, resists galvanic corrosion with dissimilar metals, and harsh chemicals.

**Quantity Per**

carton

**Product Description**

The Ratchet P-Clamp family offers versatility when managing wires, cables and hoses. The robust design and durable materials make it ideal for heavy duty applications, both indoors and out. The one-piece adjustable clamp can be closed by hand to the desired diameter. The release feature provides easy and nondestructive removal of cables simply by using a flat-head screwdriver. This nondestructive release allows the clamp to be reused without removing or replacing any bolts or screws. The Ratchet P-Clamp is offered in four sizes and multiple mounting configurations.

**Short Description**

Ratchet P-Clamp, 0.76" - 1.42" Bundle Dia, 90° Short, .26" Hole Dia, PA66HIRHSUV/SS304, Black, 160/ctn

**Global Part Name**

RCC90SM6SS-PA66HIRHSUV/SS304-BK

**Minimum Tensile Strength (Imperial)**

100.0

**Minimum Tensile Strength (Metric)**

445.0

**Length L (Imperial)**

5.58

**Length L (Metric)**

141.8

**Fixation Method**

Screw Mounting

**Variant**

Short

**Width W (Imperial)**

1.37

**Width W (Metric)**

34.9

**Bundle Diameter Min (Imperial)**

0.76

**Bundle Diameter Min (Metric)**

19.4

**Bundle Diameter Max (Imperial)**

1.42

|                                              |                                                                                                     |
|----------------------------------------------|-----------------------------------------------------------------------------------------------------|
| <b>Bundle Diameter Max (Metric)</b>          | 36.0                                                                                                |
| <b>Cable Tie Width Max (Imperial)</b>        | 0.52                                                                                                |
| <b>Cable Tie Width Max (Metric)</b>          | 13.2                                                                                                |
| <b>Mounting Hole Diameter D (Imperial)</b>   | 0.256                                                                                               |
| <b>Mounting Hole Diameter D (Metric)</b>     | 6.5 mm                                                                                              |
| <b>Mounting Hole Diameter D Max (Metric)</b> | 6.5                                                                                                 |
| <b>Stud Diameter (Metric)</b>                | M6                                                                                                  |
| <b>Mounting Hole Centers (Imperial)</b>      | 1.57                                                                                                |
| <b>Material</b>                              | Polyamide 6.6 high impact modified, heat and UV stabilized (PA66HIRHSUV)<br>Stainless Steel (SS304) |
| <b>Material Shortcut</b>                     | SS304 PA66HIRHSUV                                                                                   |
| <b>Flammability</b>                          | UL 94 HB                                                                                            |
| <b>UV Resistant (Yes/No)</b>                 | Yes                                                                                                 |
| <b>Operating Temperature (Metric)</b>        | -40°F to +257°F (-40°C to +125°C)                                                                   |
| <b>ROHS Complaint</b>                        | Yes                                                                                                 |
| <b>UL Listed (US and Canada)</b>             | Yes                                                                                                 |

**UL Listed (US)**

Yes

**Package Quantity(Imperial)**

160

**Package Quantity (Metric)**

160

**Customs Number**

3926909988